

Receiver

From

Company
Reference
Address
Phone
Fax
E-mail

Item n° : 60209373
Customer pos. no.:

Model :
DIVERTRON 900 M

Pump data

Pressure rating :
Min. fluid temperature : 0 °C
Max. fluid temperature : 40 °C
Max. Ambient temperature :

Requested data

Flow :
Head :
Fluid : Water
Fluid Temperature : 20 °C
Density : 998,3 kg/m³
Kinematic viscosity : 1,005 mm²/s
Vapor pressure : 0,00234 MPa

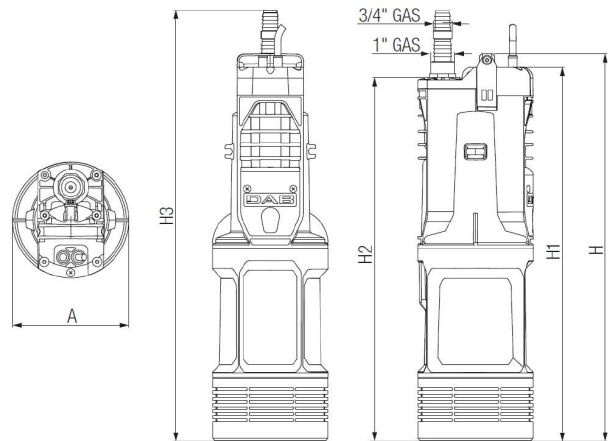
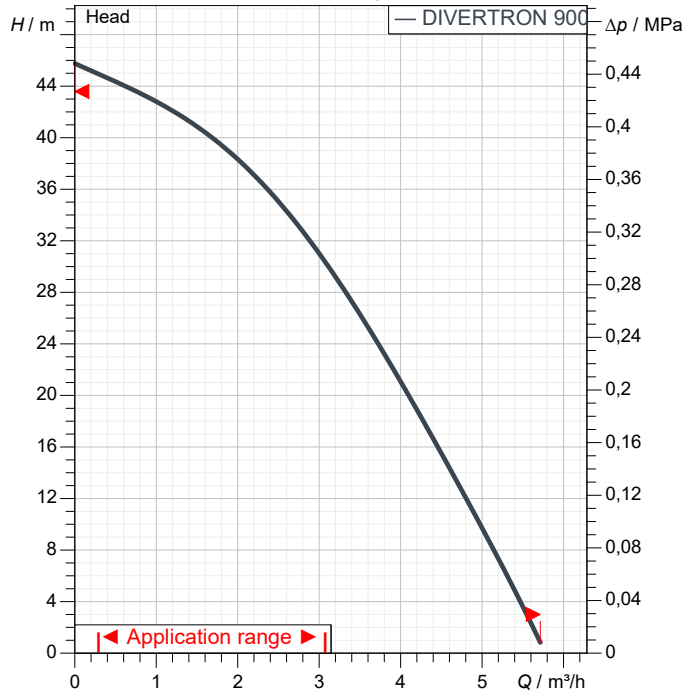
Hydraulic data (duty point)

Flow :
Head :

Materials

Pump body : Technopolymer
Impeller : Technopolymer/AISI 304
Diffuser : Technopolymer
O-Ring : EPDM
Base : Technopolymer
Motor shaft : Stainless Steel AISI 416
Motor top body : Stainless Steel AISI 304

Curve tolerance according to ISO 9906



Motor data

Motor brand : DAB
Nominal power P2 : 0,56 kW
Rated voltage : 1~ 220-240 V
Nominal current : 4,2 A
Number of poles : 2
Rated speed : 2.800 1/min
Degree of protection : IP 68

Weight : 11 kg

Dimensions in mm

A	160				
H	536				
H1	517				
H2	503				
H3	596				

Pump connection

Suction side : /
Discharge side : 1" G / --



PERFORMANCE CURVES

2024-03-28

Page 2 / 3

DAB PUMPS S.p.A.
Via Marco Polo, 14 - 35035 Mestrino (PD), Italy
Tel. +39 049 5125000 - Fax +39 049 5125950
www.dabpumps.com

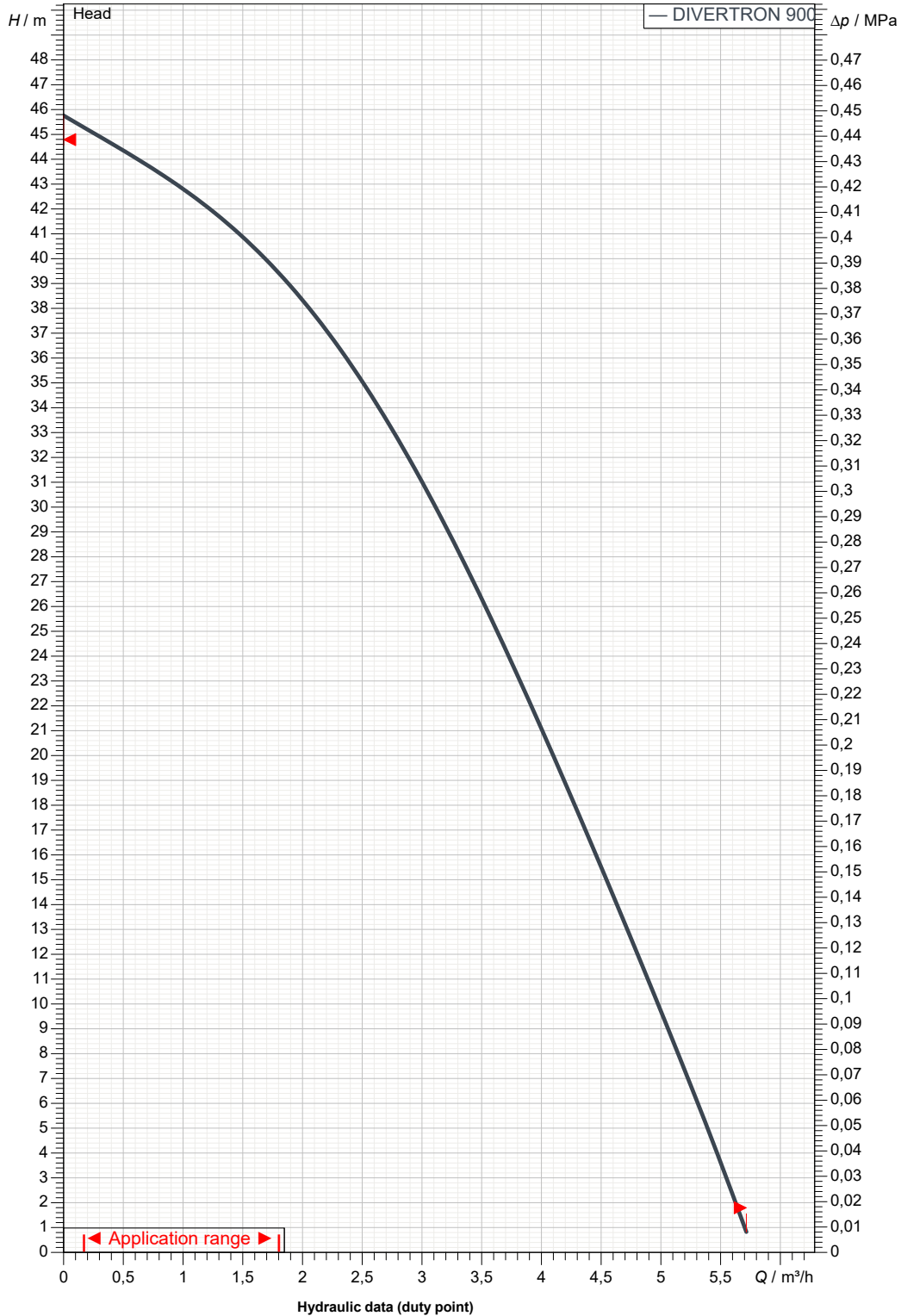
Receiver

From

Company
Reference
Address
Phone
Fax
E-mail

DIVERTRON 900 M

Curve tolerance according to ISO 9906



Suction side :

Discharge side :
1" G
--

Flow :

Head :

Rated speed :
2.800 1/min

MAIN_PROJECT_TITLE

BUSINESS_PROCESS_IT

OWNER_

ISSUE_DATE
2024-03-28



DIMENSIONAL DRAWING

DAB PUMPS S.p.A.
Via Marco Polo, 14 - 35035 Mestrino (PD), Italy
Tel. +39 049 5125000 - Fax +39 049 5125950
www.dabpumps.com

2024-03-28

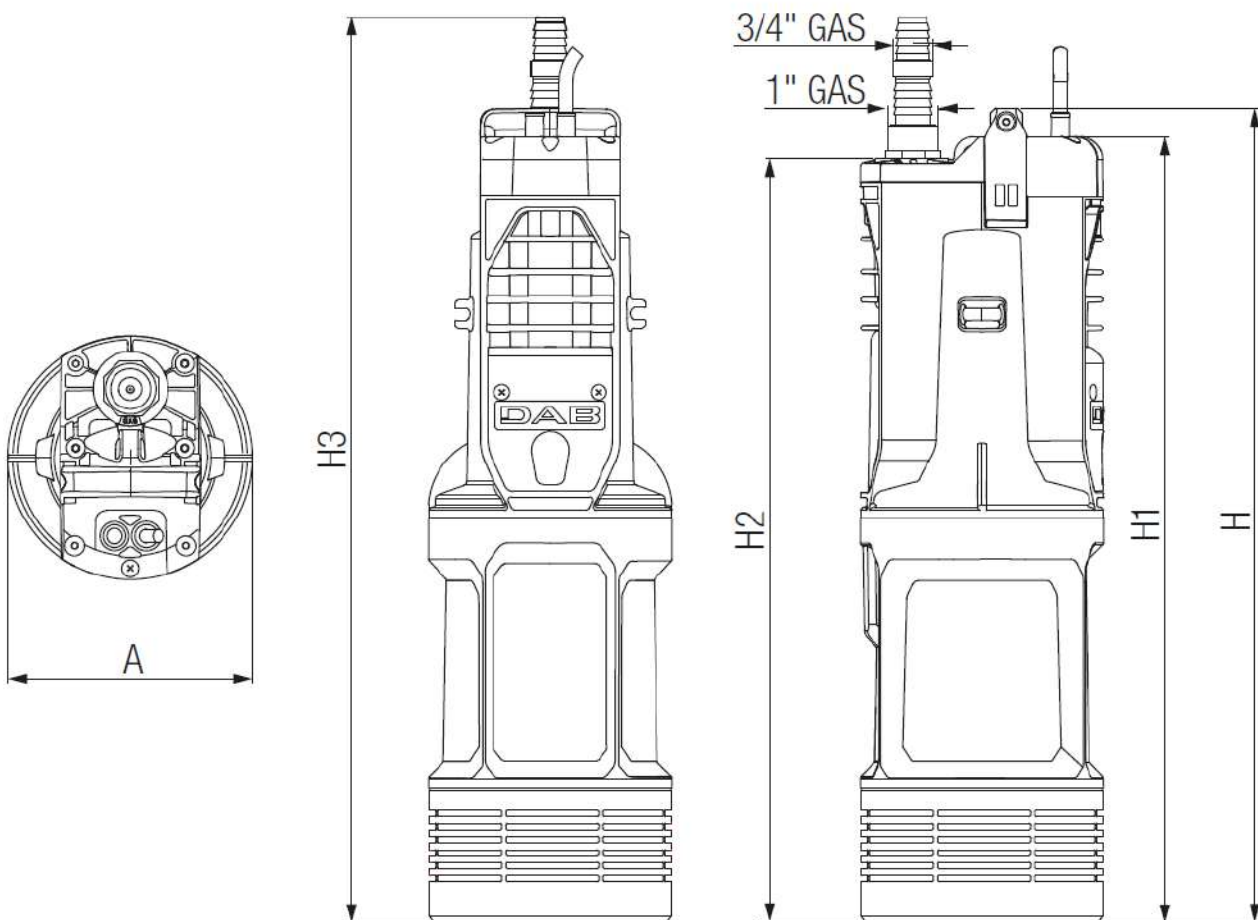
Page 3 / 3

Receiver

From

Company
Reference
Address
Phone
Fax
E-mail

DIVERTRON 900 M



Dimensions in mm			Pump connection			
1	A	160				
2	H	536				Suction
3	H1	517				
4	H2	503				Discharge
5	H3	596				1" G
6						--
7						
8						
9						
10						
11						

MAIN_PROJECT_TITLE	BUSINESS_PROCESS_ID	OWNER_	ISSUE_DATE 2024-03-28
--------------------	---------------------	--------	---------------------------------